

## VACUBOX

DRENA-LINE LIFTING STATION

- 240l water-tight tank
- Variable installation depth
- Floor drain with odour trap
- Installation above floor and under floor
- Compact dimensions
- Wide range
- Sturdy and resistant

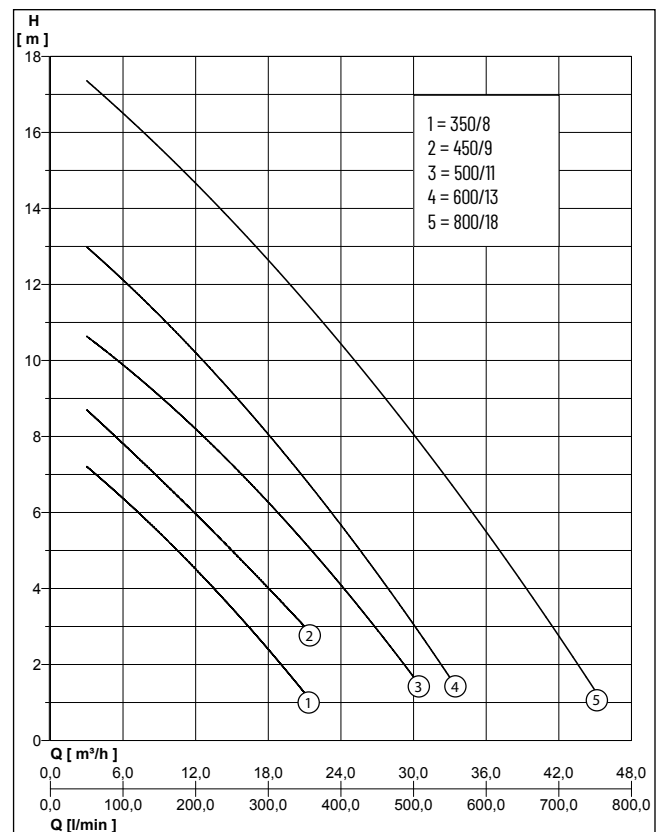


### DESCRIPTION

VACUBOX 200 is for bigger domestic wastewater volume and larger storage capacity. Without requiring a great deal of construction work, it disposes of domestic wastewater from laundries, storage or cellar areas.

VACUBOX 200 can be installed as a single as well as a duplex system. The required components for the installation of the pumps are part of the scope of supply. The duplex system provides bigger security in the disposal of wastewater. In normal operation the two pumps operate alternately or at the same time to cope with peak load. The pump to be placed can be selected according to the amount of wastewater, the type of dirty water and the pumping power required. By adjusting the plastic cover frame, the sump cover can be adapted easily and variably to the floor and tile conditions. The unit is compliant with EN 12050 standard.

### PERFORMANCE



Type	Delivery head H [m]	3	4	5	6	7	8	9	10	11	12	14	16
PRIOX 50-350/8 EN M/T	Flow rate Q [m³/h]	16.5	13.5	10.5	7.1	3.7							
PRIOX 50-450/9 EN M		21.0	18.0	16.0	12.0	9.0							
PRIOX 50-500/11 EN M/T		26.8	24.3	21.5	18.8	15.8	12.5	9.0	5.5				
PRIOX 50-600/13 EN T		30.0	28.0	25.5	23.2	20.5	18.2	15.1	12.5	9.7	6.3		
PRIOX 50-800/18 EN T			39.0	36.9	34.8	31.0	30.0	27.5	25.0	22.8	19.9	14.0	7.8

# VACUBOX

## DRENA-LINE LIFTING STATION

### SCOPE OF SUPPLY

Vacubox 200 above floor tank with cover, in-tank pressure pipe, swing-type check valves, closing plug for cable inlet, 4 hose connectors, 8 hose clips, PP pipe, cover seal, buoyancy protection.

Vacubox 200 underfloor tank, in-tank pressure pipe, swing-type check valves, cover frame, gasket and cover plate with closing plug. Closing plug for cable inlet, 4 hose connectors, 8 hose

clips, PP pipe, profiled seal, complete siphon, 2 90° bends, damp-room seal.

Attention: According to EN 12050-1, the pumping of waste water containing faeces is only permitted with the Vacubox 200-50 tank (above floor) with the pumps PRIOX 50-450/9 EN M, PRIOX 50-450/9 EN M AUT, PRIOX 50-500/11 EN T, PRIOX 50-600/13 EN T and PRIOX 50-800/18 EN T.

### MECHANICAL DATA

Free passage	50 mm	Mechanical seal	Silicon carbide. Lubricated in oil chamber.
Bearing	Self-lubricating ball bearings.	Counterface	Silicon carbide. Lubricated in oil chamber.
Oil chamber	Yes	Type of liquid	waste water with suspended solids of maximum size 50 mm.
Shaft	Stainless steel X 12 CrNiS 1809 (AISI 416)	Temperature of the liquid max.	40 °C
Impeller	Stainless steel X5CrNi18-10 (AISI 304)		
Pump housing	Stainless steel X5 CrNi 1810 (AISI 304)		

### ELECTRICAL DATA

Power line	10m H07RN-F	Insulation class	F
Type of enclosure	IP 68	Rotation speed	2850 rpm

### VACUBOX

Type	Code No.	Weight
VACUBOX 200-50 TANK (EN 12050-1)	<b>JP48190</b>	29 kg
VACUBOX 200-50 UNDERFLOOR (EN 12050-2)	<b>JP48191</b>	37 kg

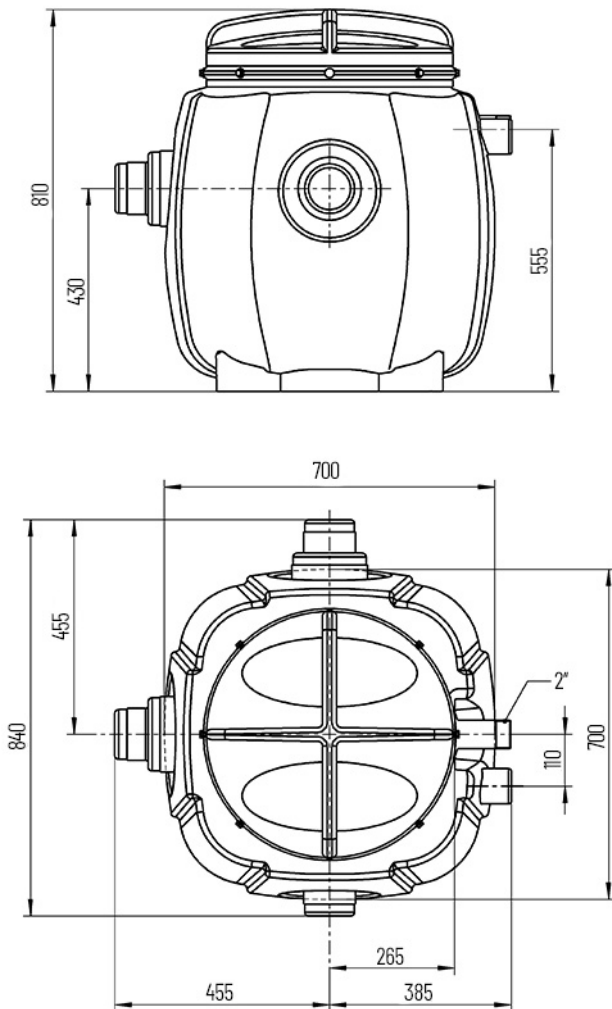
### PRIOX

Type	Code No.	Voltage	Motor rating		Current
			P1	P2	
PRIOX 50-350/8 EN M	<b>N2110210</b>	1/N/PE~230 V	0.98 kW	0.65 kW	3.8 A
PRIOX 50-350/8 EN M AUT	<b>N2110200</b>	1/N/PE~230 V	0.98 kW	0.65 kW	3.8 A
PRIOX 50-350/8 EN T	<b>N2110220</b>	3/N/PE~400 V	0.98 kW	0.65 kW	1.7 A
PRIOX 50-450/9 EN M	<b>N2110290</b>	1/N/PE~230 V	1.10 kW	0.80 kW	5.0 A
PRIOX 50-450/9 EN M AUT	<b>N2110280</b>	1/N/PE~230 V	1.10 kW	0.80 kW	5.0 A
PRIOX 50-500/11 EN M	<b>N2110240</b>	1/N/PE~230 V	1.55 kW	1.00 kW	7.0 A
PRIOX 50-500/11 EN M AUT	<b>N2110230</b>	1/N/PE~230 V	1.55 kW	1.00 kW	7.0 A
PRIOX 50-500/11 EN T	<b>N2110250</b>	3/N/PE~400 V	1.40 kW	1.00 kW	2.4 A
PRIOX 50-600/13 EN T	<b>N2110260</b>	3/N/PE~400 V	1.80 kW	1.20 kW	3.1 A
PRIOX 50-800/18 EN T	<b>N2110270</b>	3/N/PE~400 V	3.00 kW	2.40 kW	5.5 A

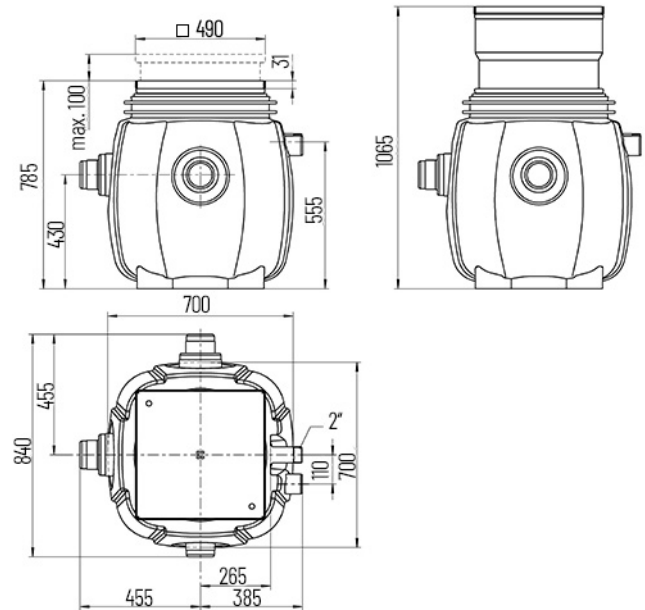
# VACUBOX

## DRENA-LINE LIFTING STATION

### DIMENSIONS (ABOVE FLOOR VERSION)



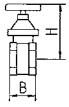

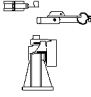
### DIMENSIONS (UNDERFLOOR VERSION)



### DIMENSIONS [mm]

Type	H	L	W
VACUBOX 200-50 TANK (EN 12050-1)	820	840	840
VACUBOX 200-50 UNDERFLOOR (EN 12050-2)	795	840	840


### MECHANICAL ACCESSORY

			Code No.	
	① Stop valve	brass, 2" (DN 50), PN 16	140x70 (HxB)	JP44787
	② Special ventilation	special filter with housing, not for hot water		JP27484
	③ Guide rail system	GR50 for Vacubox 200		JP48280

# VACUBOX

## DRENA-LINE LIFTING STATION

### MECHANICAL ACCESSORY

			Code No.
	④ <b>Ground water seal sump</b>	Ø500 for Baufix 200-50/Vacubox 200	JP48215
	⑤ <b>Sump extension</b>	165-265 mm for Baufix 200-50 / Vacubox 200	JP48282

### ELECTRICAL ACCESSORY

			Code No.
Ⓐ	<b>Control for single units</b>		
	Easycontroller D10-110	Priox 50-350/8 EN T, Priox 50-500/11 EN T	UZ014080
	Easycontroller D10-150	Priox 50-600/13 EN T	UZ014090
	Easycontroller D10-220	Priox 50-800/18 EN T	UZ014100
	Easycontroller M10-240	Priox 50...EN M	UZ014110-1
	<b>Level control</b>		
	Subm. switch pack A250		ZA012450
	Subm. switch pack AF250	for grease-containing wastewater	ZA012460
Ⓑ	<b>Control for duplex units</b>		
	Easycontroller D20-110	Priox 50-350/8 EN T, 50-500/11 EN T	UZ014150
	Easycontroller D20-150	Priox 50-600/13 EN T	UZ014140
	Easycontroller D20-220	Priox 50-800/18 EN T	UZ014130
	Easycontroller D20-240 VB	Priox 50... EN M	UZ014120-1
	<b>Level control</b>		
	Submersible switch pack B250	for Hebefix 200-50 / Baufix 200-50 / Vacubox 200	JP48229
	Submersible switch pack BF250	for grease-containing wastewater	JP48299