

PKS 1200 – 3000

WASTEWATER SUMPS

- . Custom made
- . Various diameter and installation depths
- . Suitable for traffic up to class D 400
- . Corrosion-resistant (PE-HD)
- . Durable
- . Fracture proof
- . Ground water tight
- . Ready for assembly and easy to install

DESCRIPTION

The buoyancy-proof poly-sumps suitable for traffic (up to class D) are mainly used in industrial and municipal applications. The design and the low weight allow an easy transport and set up, even in rough terrain.

Depending on the requirements at site, diameters from 1200 to 3000 mm and installation depths up to 7 m can be realised with standard sumps of this series.

A wide range of submersible pumps is available to customize the pumping stations and meet the local operating conditions.

The sumps are double-walled and monolithic. A welded berm at the bottom ensures a sediment free collecting chamber. The grey interior colour simplifies an inspection.

Mounted guide rail feet at the sump bottom, stainless steel guide rails with tie-bar under the manhole cover and stainless steel ladders, ease the installation and maintenance of the pumps.

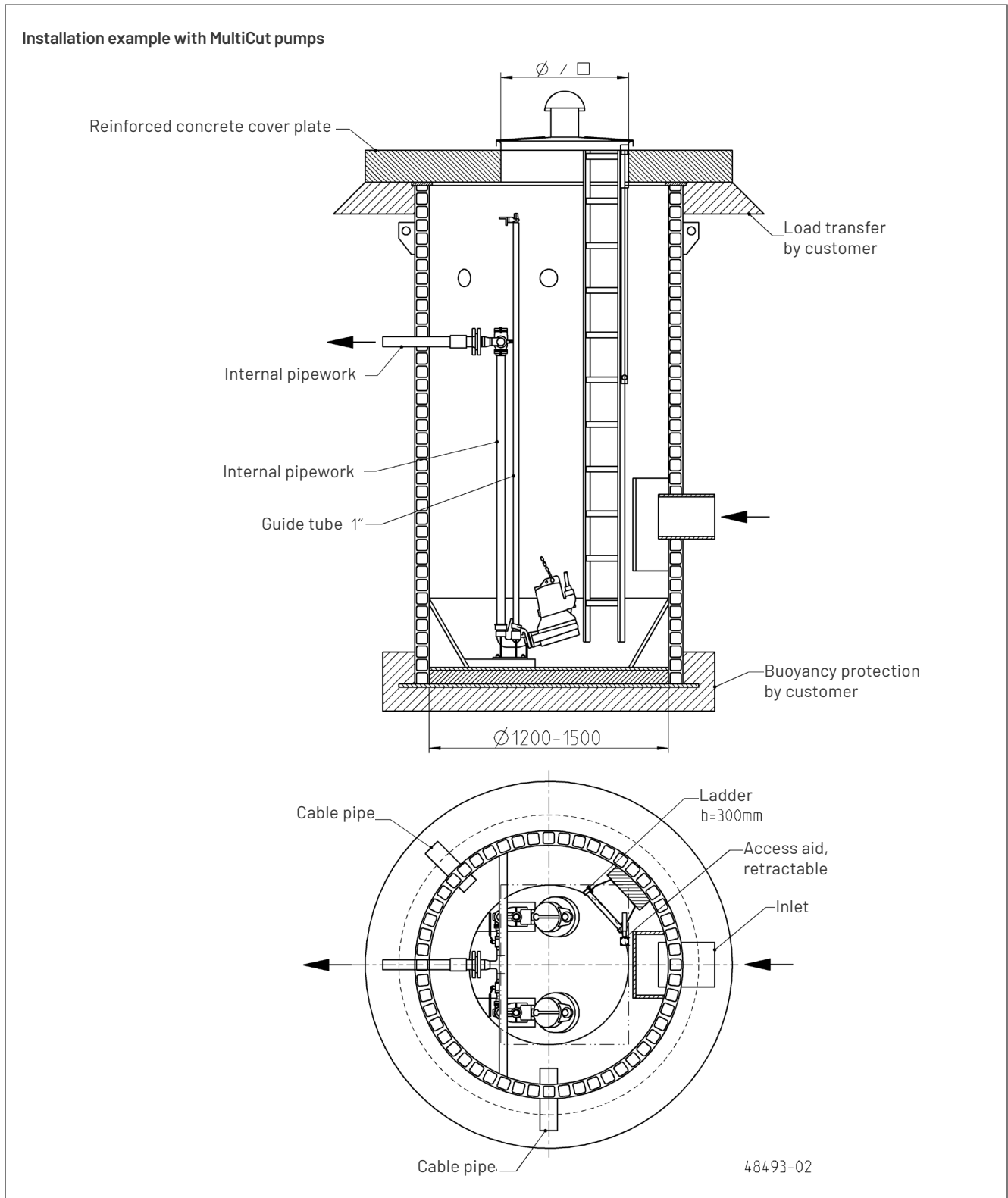
The PE or stainless steel pipework in the sump leads to the outside of the sump including swing-type check valves and also gate valves (outside connection in PE).

The sump is delivered to the building site ready for installation with cover plate and manhole cover(s). The buoyancy protection must be arranged by the customer at site.



PKS 1200 - 3000

WASTEWATER SUMPS



We reserve to change specifications without notes

Greater sump diameter, installation and submergence depths on request

AVAILABLE PUMP TYPES

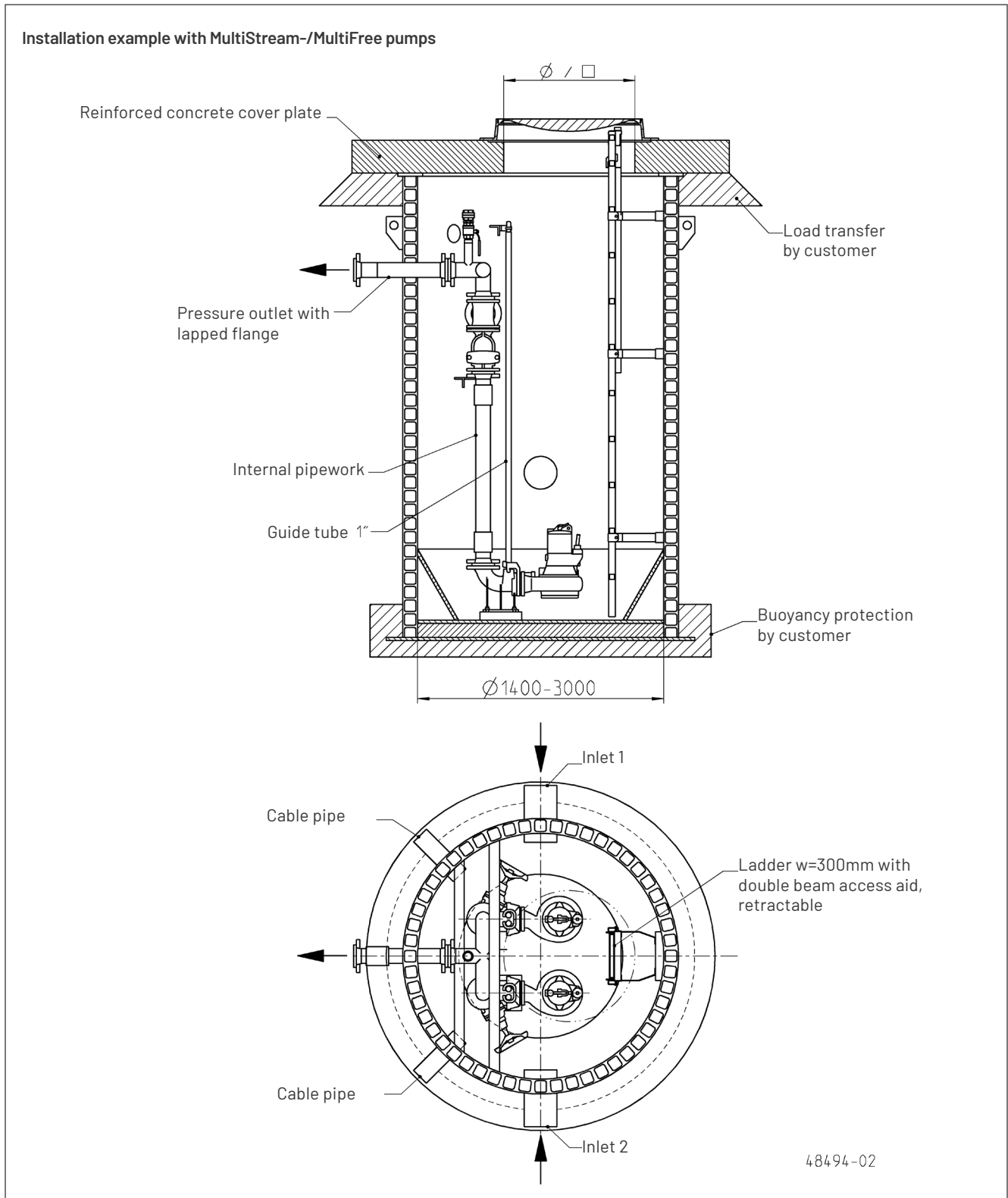
MultiCut-Pumps

20/2 M plus, 25/2 ME, 35/2 M, 36/2 M, 45/2 M, 75/2 M and 76/2 M,

Tandem units 35/2M TAN EX, 36/2M TAN EX, 45/2M TAN EX possible from PKS 1500

PKS 1200 - 3000

WASTEWATER SUMPS



We reserve to change specifications without notes

Greater sump diameter, installation and submergence depths on request

AVAILABLE PUMP TYPES

MultiStream-Pumpen DN 65
 MultiStream-Pumpen DN 80
 MultiStream-Pumpen DN 100
 MultiStream-Pumpen DN 150

MultiFree-Pumpen DN 65
 MultiFree-Pumpen DN 80
 MultiFree-Pumpen DN 100

PKS 1200 – 3000

WASTEWATER SUMPS

SUMP DIAMETER

			PKS - Schachttype (Inner diameter)								
Pump types	Pump types	Discharge branch	1200	1400	1500	1600	1800	2000	2200	2500	3000
MultiCut	08... - 76...	DN 32	•	•	•						
MultiCut Tan	35... - 45...	DN 32			•	•	•	•			
MultiStream	10... - 35...	DN 65		•	•	•	•	•	•		
	10... - 35...	DN 80		•	•	•	•	•	•		
	55... - 100...	DN 80				•	•	•	•	•	
	25... - 100...	DN 100			•	•	•	•	•	•	•
	150... - 300...	DN 100					•	•	•	•	•
	55... - 300...	DN 150						•	•	•	•
MultiFree	10... - 45...	DN 65		•	•	•	•	•	•		
	15... - 45...	DN 80		•	•	•	•	•	•		
	55... - 100...	DN 80				•	•	•	•	•	
	10... - 100...	DN 100			•	•	•	•	•	•	

The combination between the pump type and the sump was made under consideration of a 300 mm wide stainless steel ladder as well as a wise proportion between the pump size and the wastewater volume. Special applications might differ from the standard.

POSSIBLE ACCESSORIES DEPENDING ON PUMP TYPE, SUMP DIAMETER AND DEPTH ON REQUEST

FOR EXAMPLE:

- Inlet connection in required number and dimension from DN 100 up to DN 300
- Connections for conduits in required quantity in DN 100
- Various internal pipework from DN 40 to DN 200 in stainless steel or PE
- Different models of stop valves
- Several versions of non-return valves
- Various cover plates with and without PE coating from class A up to class D.
- Manhole cover from class A up to class D in grey cast iron or stainless steel, round or squared in the necessary or required number fitting to the used pumps
- Accessories for example:
 - ◊ Flushing connection
 - ◊ Fire hose connection, System Storz
 - ◊ Anti-fall guard rail
 - ◊ Access aid
 - ◊ Collide chamber
 - ◊

We create your individual offer under consideration of your requirements. Please contact us!